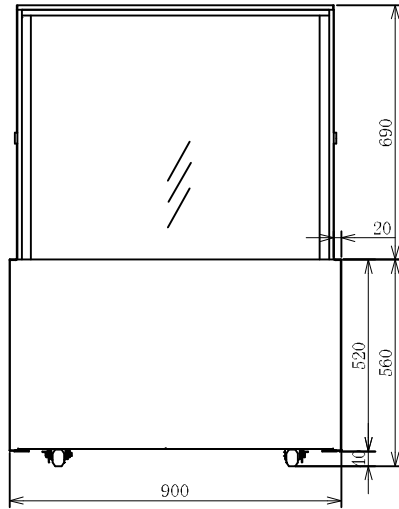
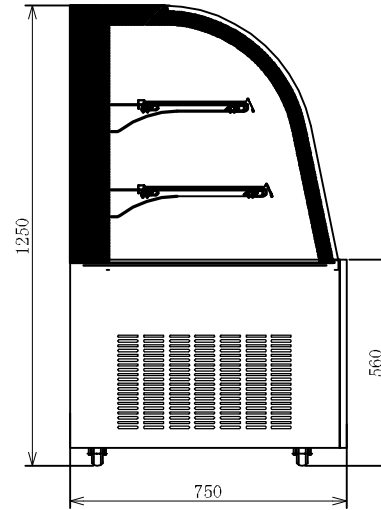


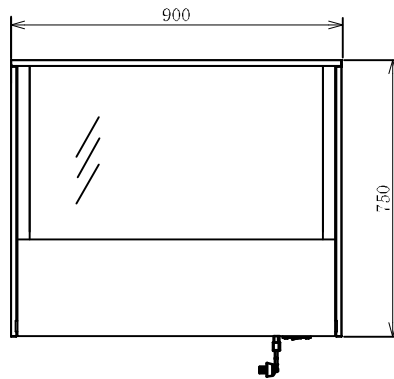
Front Look View  
正视图



Left Side View  
左侧视图



Over Look View  
俯视图



Name 名称	Circular Arc Showcase 圆弧展示柜	
Model 型号	DCA-90	
Dimension 外形尺寸	900*750*1250	
Voltage 电压	220V/50Hz	
Power 功率	668W	
Temp Range 温度	0~15°C	
Refrigerant 制冷剂类型	R134a	
Light 灯光	T5 6500K	
Glass 玻璃	Type 类型	Double Layers Toughened Glass with Conductive Film 双层钢化导电膜
	Printing 丝印	Black Printing 黑色烤漆
	Install Type 组装方式	Four Sides Assembly 四面拼接
	Both Sides 两侧	No 不包边
Material 材质	External 304 Stainless Steel And Interior Mirror Stainless Steel 外304, 内镜钢	
Layer 层板	Transparent Glass 透明玻璃	
Sliding Door Frame 移门框	Aluminum Alloy Color 铝合金色	
Lock 门锁	No 无	
Defrost Water 化霜水	Automatic Evaporation System 自动蒸发	
Temperature Controller 温控	Pc Board 电脑板	
Keep Temp Material 保温材料	Cyclopentane 环戊烷	
Heat Dissipation Type 散热方式	Back Breathing/Venting Refrigeration System 后进风后排风	
Compressor Type 压缩机类型	Enclosed Unit 全封闭式	
Power Connection 电源连接方式	Power Cord Direct Connection 电源线直连	
Condensing Unit 机组	Self-Contained 一体式	
Using Temp Range 使用环境	1°C~32°C温度	
N.W./净重/G.W./毛重		
Packing Size 包装尺寸		

Remark :

1. Don't cover the ventilation window of machine
2. Don't cover the air inlet and air outlet in the inside of machine
3. Keep the condenser clean without debris and dust

注意事项 :

- 1、摆放过程中后通风窗不能有遮挡，必须保证通风
- 2、柜内摆放物品不能挡住前后出回风口。
- 3、每月清洗冷凝器，不能有杂物灰尘阻挡吸风面。

Approved by European CE and CB  
已通过CE,CB认证

Remark : product update and modify , There are different between original product and picture, Pictures only for reference, The right of final interpretation belong to hisakage  
因产品改进所需，如有变更恕不另行通知。

**HISAKAGE**®

Circular Arc Showcase  
圆弧展示柜

DCA-90

View  
Orientation

视图方向	俯	T
	左	L
	正	F
	剖	P
	后	B

Revise Date  
修订日期

2019.5.8

Make Date  
制图日期

2019.1.16

REV  
L