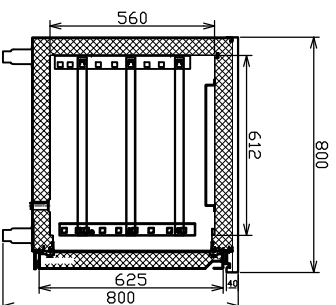
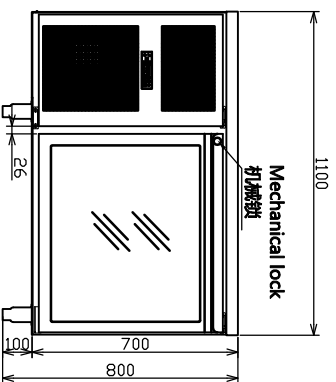
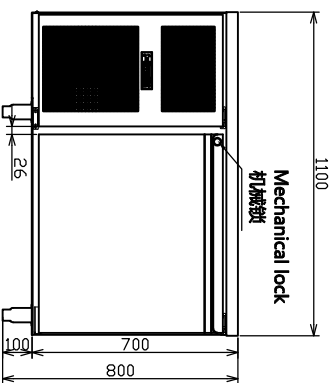


Use instruction

Please follow the instructions, properly install the water supply tube and drain tube for the equipment, and reserving additional space of 10mm at the installation site to make the installation requirements. (Air cooling equipment needs more space to meet the air flow and heat discharge.)
 B: The cooling effect depends on the heat dissipation environment, please keep ventilation C: Available in 6cm, 10cm, 15cm Adjustable Legs.

使用说明:

A: 请按照说明书, 正确安装、摆放设备连接供水、排水管。在安装现场预留10mm额外空间, 以满足安装要求。(风冷设备, 需要更多的空间以满足空气流通和热量排出)
 B: 制冷效果取决于散热环境, 请保持通风
 C: 可选高度6cm、10cm、15cm高低脚。



| | |
|-------------------------------------|--|
| Item 名称 | 1.1m air cooling under counter GN refrigerator 1.1米风冷卧式GN冰箱 |
| Model 型号 | LRWP-110/LRWG-110/LWP-110 |
| Dimension 外形尺寸 | 1100*800*800 |
| Voltage 电源 | 220V/50Hz |
| Power 额定功率 | 219W/245W |
| Temperature Range 温度 | -6℃~+15℃/-18℃~-22℃ |
| Cooling Type 制冷方式 | Air cooling 风冷 |
| Capacity 容积 | 160L(80U) |
| Material 材质 | Interior内胆: 304 Cabinet箱体: 304 |
| Refrigerant Type 制冷剂类型 | R134a/R404a |
| Refrigerant Throttling Mode 制冷剂节流方式 | Capillary 毛细管 |
| Keep Temp Material 保温材料 | Cyclopentane 环戊烷 |
| Defrost Water 化霜水 | Automatic Evaporation System 自动蒸发 |
| Compressor Type 压缩机类型 | Enclosed unit 全封闭式 |
| Condensing System 冷凝器类型 | Forced air cooling 强制风冷 |
| Evaporating Fan 蒸发器风机 | Hood Motor 220V 罩极电机220V |
| Temperature Controller 温控 | Pc board 电脑板 |
| Defrost Time 除霜时间 | Every four hour 每四小时一次 |
| Compressor work temp 压缩机启动温度 | 4℃ |
| Compressor protection type 压缩机保护方式 | High temperature protection 高压保护 |
| Wattage safety type 电源保护方式 | Voltage change/transformer 变压器 |
| Heat Dissipation Type 散热方式 | Front Air Inlet / venting refrigeration system 前置风吸 |
| Shelves 搁架 | shelves can exchange 2/1 GN pans 搁架与2/1份盘可互换 |
| Light 灯光 | According to the order 按照订单要求 |
| Condensing Unit 机组 | Self-Contained 一体机 |
| Electrical Protection 电路保护方式 | 6.3a Fuse Wire 6.3a 6.3A保险丝 |
| Insulation Layer Thickness 保温层厚度 | Cabinet 65mm 箱体65mm; Door 55mm 门板55mm |
| Using Temp 使用温度 | 1℃~43℃ |
| Packing Size 包装尺寸 | / |
| N.W./G.W./净重/毛重 | / |

Approved by European CE and CB
 已通过CE、CB认证。

HISAKAGE®

1.1m air cooling under counter GN refrigerator 1.1米风冷卧式GN冰箱

LRWP-110/LRWG-110/LWP-110

视图方向
View Orientation

Over Look View
俯视图

Near View
后视图

Distance View
侧视图

Side View
侧视图

2019-1-17

2018-10-8

REV
A

Remark: Product update and modify, there are different between original product and picture, pictures only for reference, the right of final interpretation belong to Hisakage. 备注: 产品改型升级, 实物与图片有差异, 图片仅供参考, 久票为最终解释权。