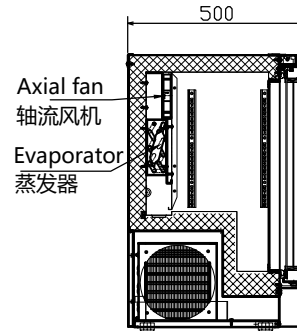
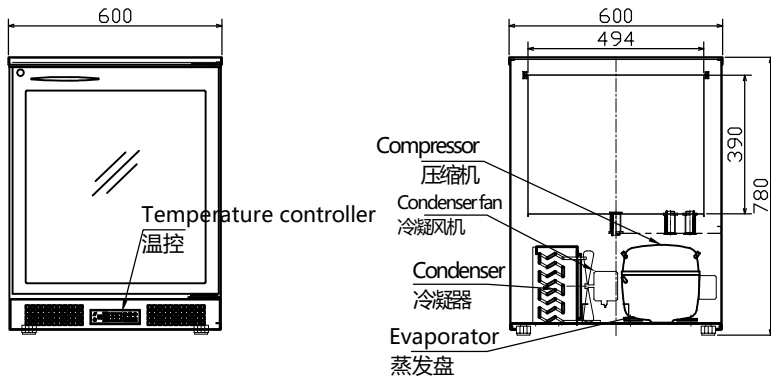


A: Please Follow the instructions, properly install the water supply tube and drain tube for the equipment, and reserving additional space of 10mm at the installation site to make the installation requirements. (Air cooling equipment needs more space to meet the air flow and heat discharge.)
 B: The cooling effect depends on the heat dissipation environment, please keep ventilation.
 C: Available in 6cm, 10cm, 15cm Adjustable Legs.

A: 请按照说明书, 正确安装、摆放设备连接供水、排水管。在安装现场预留10mm额外空间, 以满足安装要求。(风冷设备, 需要更多的空间以满足空气流通和热量排出)

B: 制冷效果取决于散热环境, 请保持通风

C: 可选择6cm、10cm、15cm高低脚。



Item 名称	0.6m single door drinks refrigerator 0.6米单门饮料冰箱
Model 型号	BC-60
Dimension 外形尺寸	600*500*780
Voltage 电源	220V/50Hz
Power 额定功率	180w
Temperature Range 温度	0°C~+15°C
Cooling Type 制冷方式	Air cooling 风冷
Capacity 容积	60L
Material 材质	Interior 内胆: Mirror Stainless Steel 镜钢 Top 台面: 304
Refrigerant Type 制冷剂类型	R134a
Refrigerant Throttling Mode 制冷剂节流方式	Capillary 毛细管
Keep Temp Material 保温材料	Cyclopentane 环戊烷
Defrost Water 化霜水	Automatic Evaporation System 自动蒸发
Compressor Type 压缩机类型	Enclosed unit 全封闭式
Condensing System 冷凝器类型	Forced air cooling 强制风冷
Evaporating Fan 蒸发风机	Hood Motor 220v 罩极电机220v
Temperature Controller 温控	Pc board 电脑板
Defrost Time 除霜时间	Every four hour 每隔4小时一次
Compressor work temp 压缩机启动温差	4°C
Compressor protection type 压缩机保护方式	High temperature protection 高压保护
Wattage safety type 电源保护方式	Voltage changer/transformmer 变压器
Heat Dissipation Type 散热方式	Front Air inlet / venting refrigeration system 前吸前排风
Shelves 网架	Each door with shelf 每扇门一片
Light 灯光	4500K
Condensing Unit 机组	Self-Contained 一体式
Electrical Protection 电器保护方式	6.3a Fuse Wire 6.3a 6.3A保险丝
Insulation Layer Thickness 保温层厚度	Cabinet 65mm 箱体65mm; Door 55mm 门板55mm
Using Temp 使用温度	1°C~43°C
Packing Size 包装尺寸	/
N.W./G.W 净重/毛重	/

Approved by European CE and CB
 已通过CE、CB认证。

HISAKAGE®

0.6m single door drinks refrigerator
 0.6米单门饮料冰箱

BC-60

视图方向
 View Orientation

Over Look View
 俯视
 Front View
 正视

Rear View
 后视
 Cutaway View
 剖视

Side View
 侧视

Revise Date 修订日期
 2019-1-17

Make Date 制图日期
 2018-10-8

REV
 A